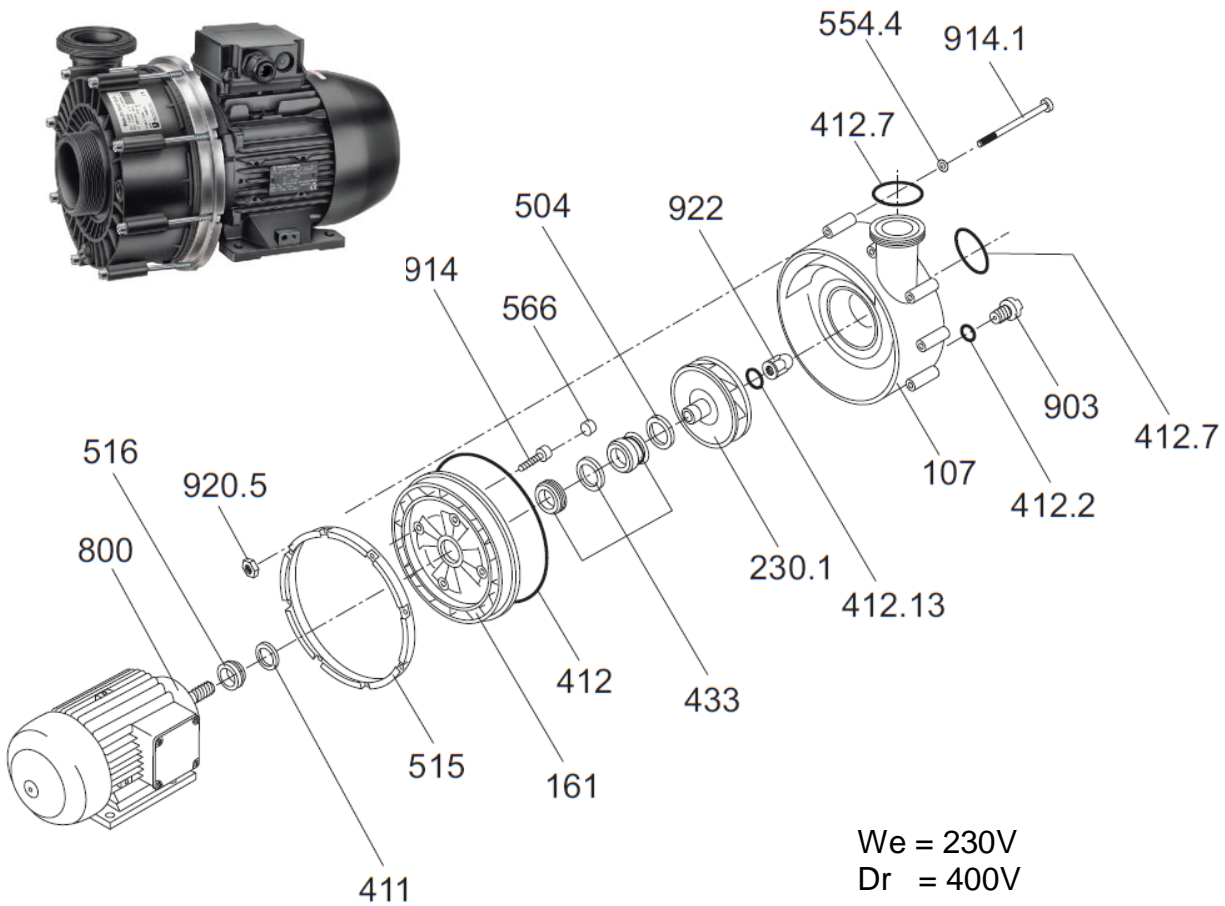


BADU 21-50



We = 230V
Dr = 400V

Nr części BADU 21-50	Ilość	Art.nr	Cena netto w EUR / szt
107 - złączka 52/52 mm	1	2923.610.701	94,06
107 - gwint 2 3/4	1	2923.610.721	94,06
107 do 21-50/43 GT 27" i 21-50/44 GT 27" do BADU Jet Smart	1	2923.610.705	94,06
161	1	2923.616.100	81,85
230.1(części 412.13 + 922) do BADU 21-50/42 i 21-50/42 G	1	2923.623.011	75,08
230.1(części 412.13 + 922) do BADU 21-50/43 We., 21-50/43 G We i 21-50/43 GT 27" We do BADU Jet Smart	1	2923.623.020	75,08
230.1(części 412.13+922) do BADU 21-50/43 Dr i 21-50/43G Dr.	1	2923.623.021	75,08
230.1(części 412.13 + 922) do BADU 21-50/44,21-50/44 G i 21/50/44 GT 27" do BADU Jet Smart	1	2923.623.023	75,08
411	1	2923.141.100	0,24
412	1	2920.141.220	3,60
412.2	1	2923.541.220	0,50
412.7	2	2923.641.270	5,89
412.7 do BADU Jet Smart	1	2923.641.270	5,89
412.13	1	2923.541.222	1,70
433	1	2920.343.310	36,95
504	1	2923.650.400	4,64
515	1	2923.651.500	53,44
516	1	2921.151.600	1,92
554.4	8	5871.250.601	0,09
566	4	2923.456.600	1,99
800	1	-----	na zapytanie
903	1	2923.591.201	0,69
914	4	5819.120.816	0,81
914.1	8	2920.191.000	0,94
920.5	8	5879.340.600	0,23
922	1	2923.592.202	11,40