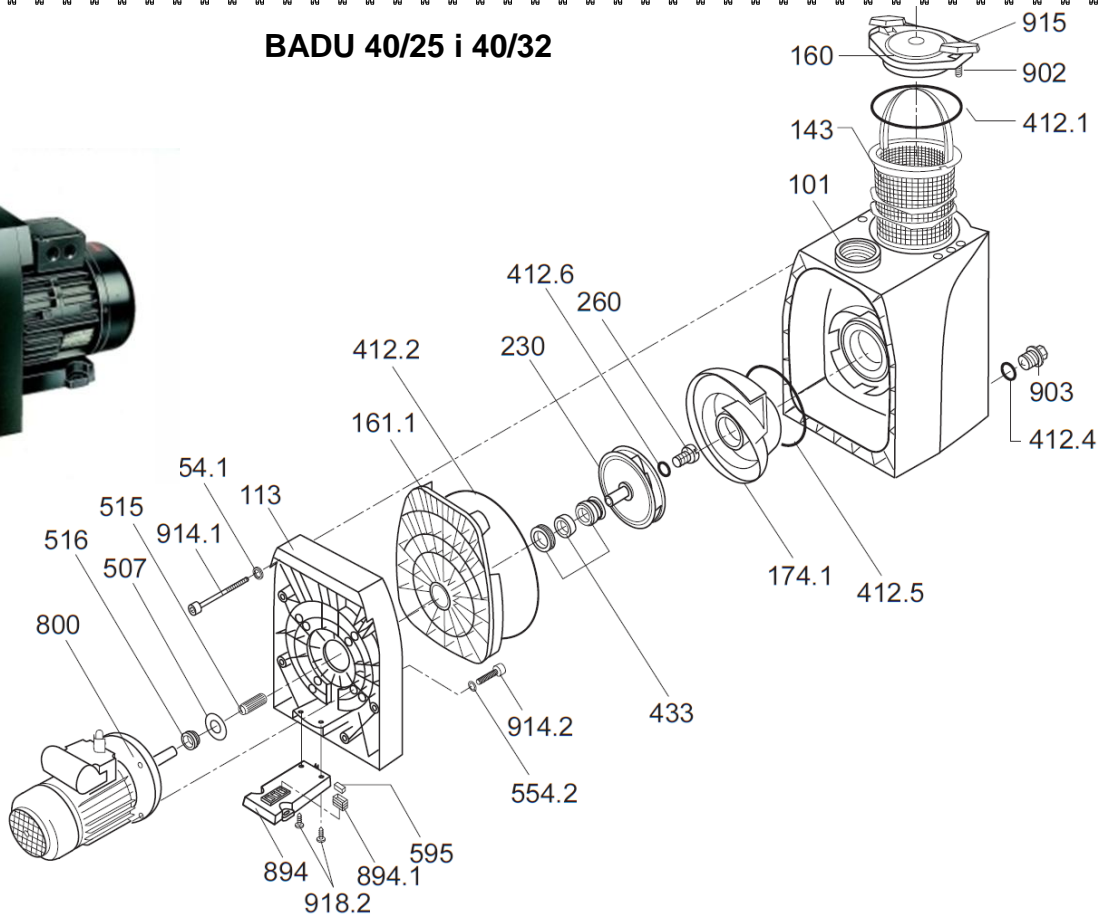


BADU 40/25 i 40/32



Nr części BADU 40/25 G, 40/32	Ilość	Art.nr	Cena netto w EUR / szt
101 do BADU 40/22, 40/25 G i 40/32	1	2920.510.100	220,08
113	1	2920.311.300	70,44
143	1	2920.314.300	12,51
160	1	2920.316.002	52,04
161.1	1	2920.316.100	54,32
174.1	1	2920.315.500	45,19
230 , do Badu 40/25 G (zawiera części 260 + 412.6)	1	2920.523.000	58,59
230 , do BADU 40/32	1	2920.623.000	71,70
260 , do BADU 40/25 G	1	2920.326.000	1,70
260 , do BADU 40/32	1	2920.326.001	4,26
412.1	1	2920.341.210	2,94
412.2	1	2920.341.220	3,97
412.4	1	2302.002.062	0,39
412.5	1	2920.141.210	2,06
412.6	1	2920.141.241	1,20
433	1	2920.343.310	36,95
507 do 40/25 G(400V) i 40/32(400V) [od 01/2012] i 40/32 (230V) [od 2002]	1	2920.850.702	0,78
515, do BADU 40/25 G	1	2920.351.510	3,53
515 , do BADU 40/32	2	2920.651.510	2,87
516 do BADU 40/25 G (230V i 400V) i 40/32 (400V) [do12/2011]	1	2921.151.600	1,92
554.1	8	5871.250.802	0,40
554.2	4	5871.250.802	0,40
595	1	2920.359.501	0,86
800 - 230V, 1,30 kW, do BADU 40/25 G	1	2040.226.038	605,04
800 - 230V, 1,50 kW, do BADU 40/32	1	2040.326.038	850,88
800 - 400V, 1,30 kW, do BADU 40/25 G	1	2040.226.037	572,64
800 - 400V, 1,50 kW, do BADU 40/32	1	2040.326.037	727,23
894	1	2920.389.400	8,76
894.1	1	2920.389.410	0,43
902	2	2920.190.201	5,82
903	1	2920.191.200	1,70
914.1	8	5819.120.893	3,47
914.2	4	5879.120.825	0,65
915	2	2920.191.500	5,30
918.2	2	5879.816.316	0,58