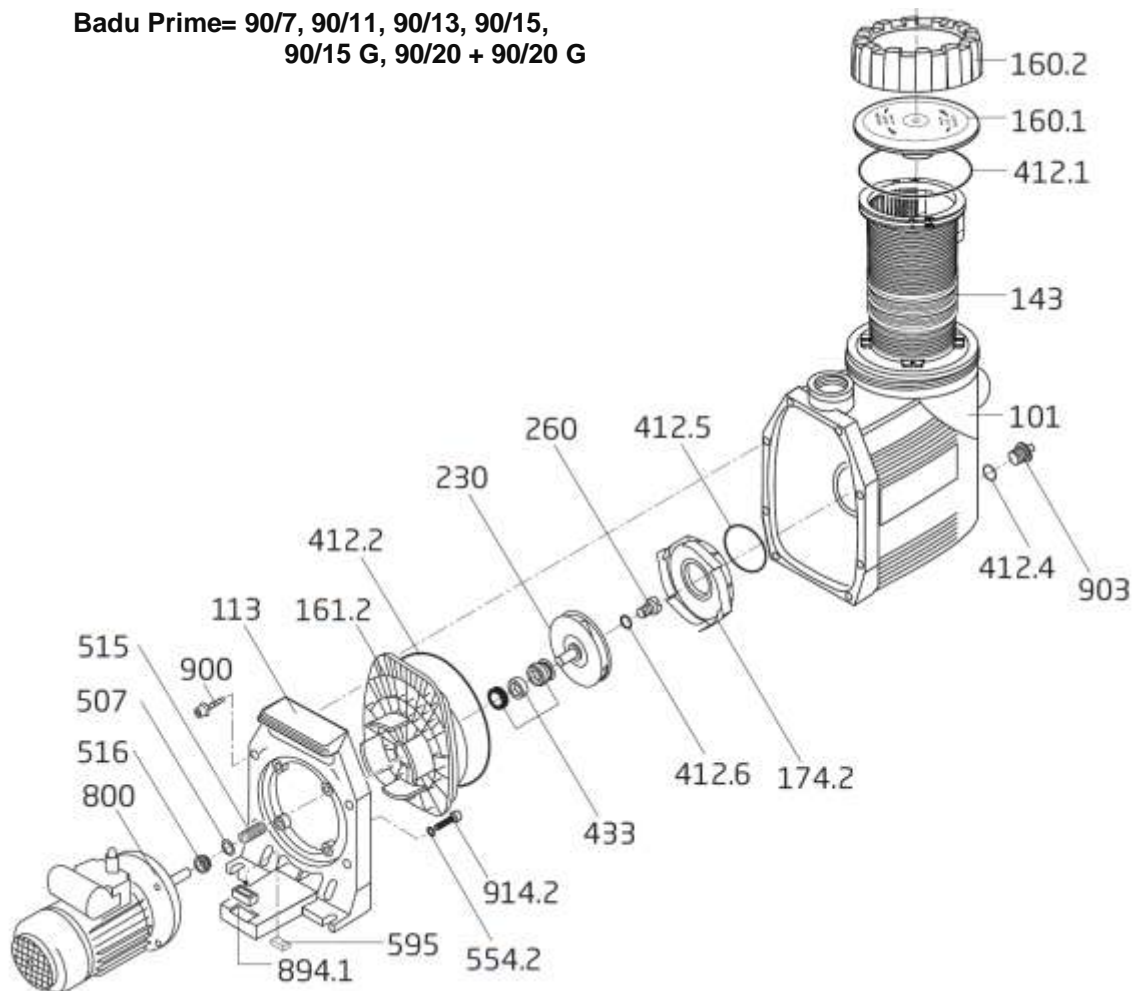




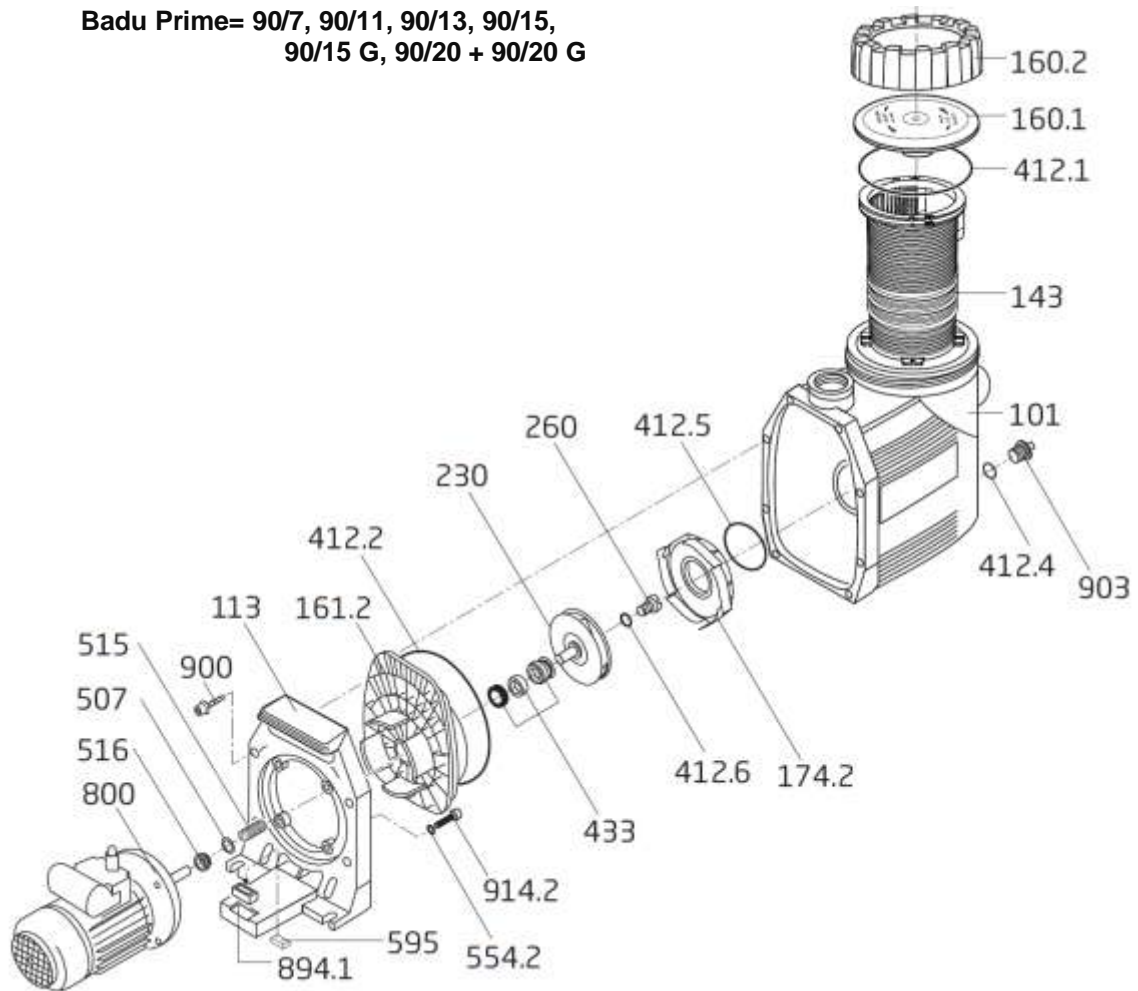
**Badu Prime= 90/7, 90/11, 90/13, 90/15,  
90/15 G, 90/20 + 90/20 G**



Nr części BADU 90	Ilość w pompie	Art.nr	Cena netto w EURO / szt
101 do BADU 90/7 i 90/11	1	2921.110.100	171,79
101 do pozostałych modeli	1	2921.310.100	171,79
113	1	2921.111.300	64,41
143	1	2901.114.300	12,51
160.1	1	2921.116.010	26,80
160.2	1	2921.116.020	26,80
161.2 do BADU 90/7, 90/11 i 90/13	1	2921.116.120	43,29
161.2 do BADU 90/15, 90/15 G, 90/20 i 90/20 G	1	2921.316.120	43,79
174.2 do BADU 90/7, 90/11 i 90/13	1	2921.117.420	45,27
174.2 do 90/15 G i 90/20 G (prod.do 02/07)	1	2921.317.420	46,37
174.2 do 90/15 und 90/20 (prod.od 03/07)	1	2921.317.421	46,37
230 do BADU 90/7	1	2921.123.001	42,77
230 do BADU 90/11	1	2921.223.001	44,31
230 do BADU 90/13	1	2921.223.002	46,81
230 do 90/15G (prod.do 02/07) (zawiera 260 + 412.6)	1	2920.323.000	51,60
230 do BADU 90/15 (prod od 03/07)	1	2921.323.001	51,60
230 do 90/20 G (prod.do 02/07) (zawiera 260 + 412.6)	1	2920.423.000	53,44
230 do BADU 90/20 (prod.od 03/07)	1	2921.423.001	53,44
260 do BADU 90/7, 90/11 i 90/13	1	2920.126.000	0,63
260 do BADU 90/15, 90/15 G, 90/20 i 90/20 G	1	2920.326.000	1,70
412.1	1	2921.141.210	3,10
412.2	1	2921.141.220	3,90
412.4	1	2302.002.062	0,39
412.5	1	2920.141.210	2,06



**Badu Prime= 90/7, 90/11, 90/13, 90/15,  
90/15 G, 90/20 + 90/20 G**



Nr części BADU 90	Ilość w pompie	Art.nr	Cena netto w EURO / szt
412.6 do BADU 90/7, 90/11 i 90/13	1	2920.141.261	0,69
412.6 do BADU 90/15, 90/15 G, 90/20 i 90/20 G	1	2920.141.241	1,20
433 do BADU 90/7, 90/11 i 90/13	1	2920.143.315	29,29
433 do BADU 90/15, 90/15 G, 90/20 i 90/20 G	1	2920.343.310	36,95
507 do BADU 90/7, 90/11 i 90/13	1	2921.150.700	0,27
507 do 90/15, 90/15G, 90/20 (400V) [prod. do 12/2011]	1	2921.350.700	0,32
507 do BADU 90/20 (400V) [prod. od 01/12]	1	2920.850.702	0,78
507 do BADU 90/20 (230V) i 90/20G (230V)	1	2921.450.700	0,56
515 do BADU 90/7, 90/11 i 90/13	2	2920.151.510	2,28
515 do BADU 90/15, 90/15 G, 90/20 i 90/20 G	1	2920.351.510	3,53
516 V 16 S, do BADU 90/7 i 90/11	1	2920.151.600	1,47
516 V 18 S do 90/13, 90/15, 90/15G, 90/20, 90/20G	1	2920.251.600	1,70
516 V 20 S do 90/20 (230V), 90/20G (230V)	1	2921.151.600	1,92
554.2	4	5871.250.802	0,40
595	1	2920.359.501	0,86
800	1	na zapytanie	0,00
894.1 do BADU 90/7 i 90/11	3	2920.389.410	0,43
894.1 do 90/13, 90/15, 90/15G	2	2920.389.410	0,43
900	8	2921.690.002	2,13
903	1	2923.591.201	0,69
914.2	4	5879.120.825	0,65
Klucz do otwierania pokrywy		2921.157.700	7,21