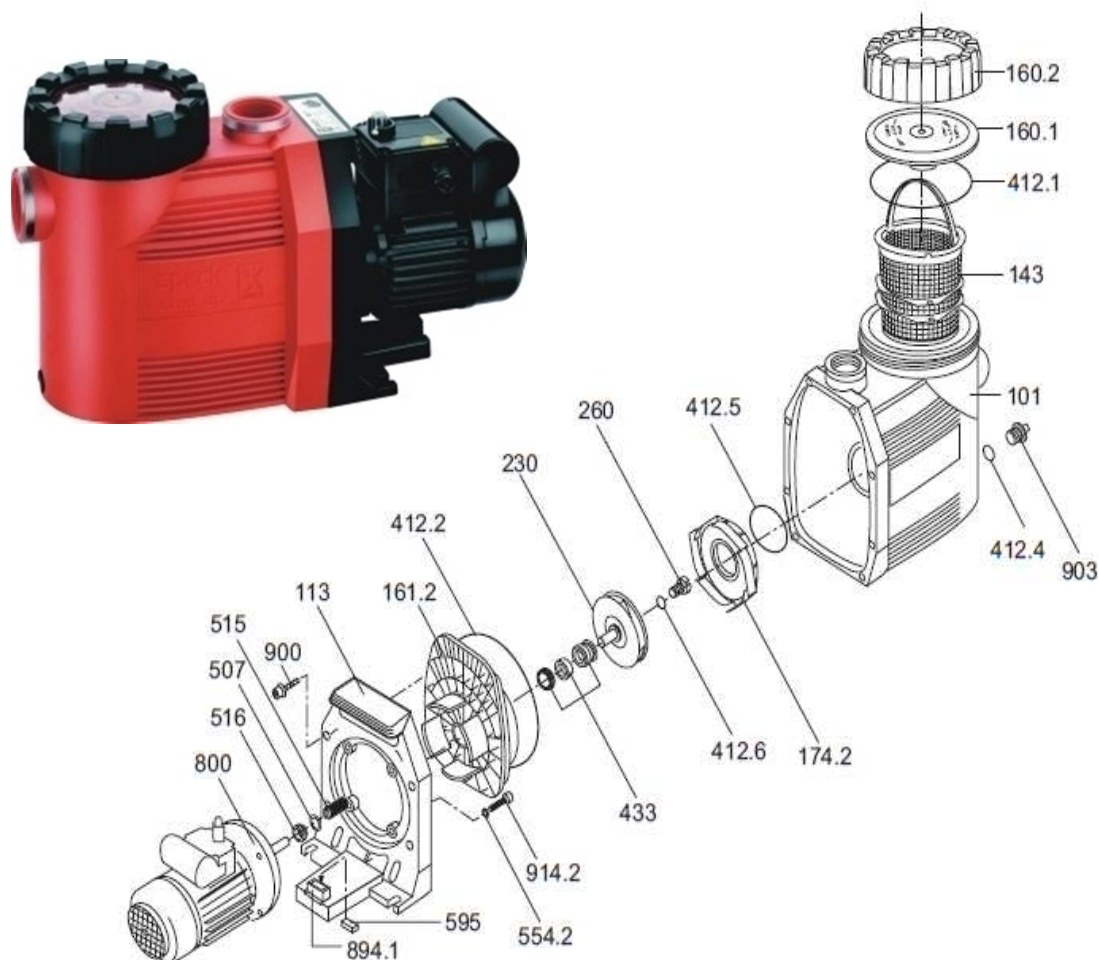


Nr części BADU 90	Ilość	Art.nr	Cena katalogowa netto w EURO
101 pomarańcz, do BADU 90/7 i 90/11	1	2921.110.100	148,61
101 czarna, do BADU 90/7 i 90/11	1	2921.110.102	148,61
101 pomarańcz, do BADU 90/13, 90/15, 90/15 G, 90/20 i 90/20 G	1	2921.310.100	148,61
101 czarna, do BADU 90/13, 90/15, 90/15 G, 90/20 i 90/20 G	1	2921.310.102	148,61
113	1	2921.111.300	55,66
143	1	2920.314.300	10,80
160.1	1	2921.116.010	23,11
160.2	1	2921.116.020	23,11
161.2 do BADU 90/7, 90/11 i 90/13	1	2921.116.120	37,44
161.2 do BADU 90/15, 90/15 G, 90/20 i 90/20 G	1	2921.316.120	37,94
174.2 do BADU 90/7, 90/11 i 90/13	1	2921.117.420	39,17
174.2 do BADU 90/15 G i 90/20 G (prod. do 02/07)	1	2921.317.420	40,03
174.2 do BADU 90/15 und 90/20 (prod. od 03/07)	1	2921.317.421	40,03
230 do BADU 90/7	1	2921.123.001	37,01
230 do BADU 90/11	1	2921.223.001	38,38
230 do BADU 90/13	1	2921.223.002	40,46
230 do BADU 90/15 G (prod. do 02/07) (zawiera część 260 + 412.6)	1	2920.323.000	44,64
230 do BADU 90/15 (prod. od 03/07)	1	2921.323.001	44,64
230 do BADU 90/20 G (prod. do 02/07) (zawiera część 260 + 412.6)	1	2920.423.000	46,30
230 do BADU 90/20 (prod. od 03/07)	1	2921.423.001	46,30
260 do BADU 90/7, 90/11 i 90/13	1	2920.126.000	0,55
260 do BADU 90/15, 90/15 G, 90/20 i 90/20 G	1	2920.326.000	1,44
412.1	1	2921.141.210	2,66
412.2	1	2921.141.220	3,31
412.4	1	2302.002.062	0,33
412.5	1	2920.141.210	1,73
412.6 do BADU 90/7, 90/11 i 90/13	1	2920.141.261	0,59



Nr części BADU 90	Ilość	Art.nr	Cena katalogowa netto w EURO
412.6 do BADU 90/15, 90/15 G, 90/20 i 90/20 G	1	2920.141.241	1,02
433 do BADU 90/7, 90/11 i 90/13	1	2920.143.310	25,42
433 do BADU 90/15, 90/15 G, 90/20 i 90/20 G	1	2920.343.310	32,04
507 do BADU 90/7, 90/11 i 90/13	1	2921.150.700	0,23
507 do BADU 90/15, 90/15 G, 90/20 i 90/20 G	1	2921.350.700	1,02
507 do BADU 90/20 i 90/20 G	1	2921.450.700	0,48
515 do BADU 90/7, 90/11 i 90/13	2	2920.151.510	1,94
515 do BADU 90/15, 90/15 G, 90/20 i 90/20 G	1	2920.351.510	2,95
516 V 16 S, do BADU 90/7 i 90/11	1	2920.151.600	1,28
516 V 18 S, do BADU 90/13, 90/15, 90/15 G, 90/20 i 90/20 G	1	2920.251.600	1,41
516 V 20 S, do BADU 90/20 (230V) i 90/20 G (230V)	1	2921.151.600	1,58
554.2	4	5871.250.802	0,33
595	1	2920.359.501	0,75
800 do 0,30 kW, do BADU 90/7 230V	1	2040.066.038	372,96
800 do 0,45 kW, do BADU 90/11 230V	1	2040.096.038	401,76
800 do 0,55 kW, do BADU 90/13 230V	1	2190.136.038	416,16
800 do 0,75 kW, do BADU 90/15 230V i 90/15 G 230V	1	2040.106.038	449,28
800 do 1,00 kW, do BADU 90/20 230V i 90/20 G 230 V	1	2040.166.038	476,64
800 do 0,30 kW, do BADU 90/7 400V	1	2040.066.037	358,56
800 do 0,45 kW, do BADU 90/11 400V	1	2040.096.037	378,72
0,55 kW, do BADU 90/13 400V	1	2190.136.037	407,52
800 do 0,75 kW, do BADU 90/15 400V i 90/15 G 400V	1	2040.106.037	421,92
800 do 1,00 kW, do BADU 90/20 400V i 90/20 G 400V	1	2040.166.037	429,12
894.1 do BADU 90/13, 90/15, 90/15 G, 90/20 400V i 90/20 G 400V	3	2920.389.410	0,37
894.1 do BADU 90/13, 90/15, 90/15 G, 90/20 400V i 90/20 G 400V	2	2920.389.410	0,37
900	8	2921.690.002	1,80
903	1	2923.591.201	0,59
914.2	4	5879.120.825	0,56
zestaw uszczeltek do BADU 90/7, 90/11 i 90/13		2921.141.299	8,57
zestaw uszczeltek do BADU 90/15, 90/15 G, 90/20 i 90/20 G		2921.341.299	9,07
Klucz do otwierania pokrywy		2921.157.700	6,19